




Living ROOF
by ultraframe



A woman with long brown hair, wearing a pink long-sleeved top and dark blue jeans, is sitting on a beige sofa with patterned cushions. She is smiling and looking towards the camera. The room is a living room with a large wooden coffee table in front of the sofa. On the coffee table, there are some magazines and a small vase with flowers. To the right of the sofa, there is a wooden sideboard with a vase of flowers on top. The ceiling features a large, rectangular, blue-tinted skylight and several recessed ceiling lights. The walls are a light beige color, and there are large windows in the background showing a view of trees and a cloudy sky.

Design, Flexibility, Thermal Efficiency

*Living*ROOF is the first roofing system designed to give you the flexibility to combine solid and glazed roofing seamlessly.

LivingROOF
by ultraframe





LivinROOF is the first roofing system designed to give you the flexibility to combine solid and glazed roofing seamlessly.



Whether you are constructing a new home extension or replacing an old existing conservatory roof, LivinROOF can give you total design flexibility and the ability to create stylish and thermally efficient rooms like no other solution on the market.

The LivinROOF roofing system is constructed from insulated composite external panels and High Performance PU board insulation, which are strong and robust yet extremely thermally efficient.

The structure of the roof utilises Ultraframe's market leading Classic roof system to provide strength and rigidity – and with over 1.5 million Classic roofs installed throughout the UK you can be sure it can withstand anything Mother Nature has to offer.

At Ultraframe, we understand the importance of natural light in any home extension. The great feature of LivinROOF is that it can incorporate one or a number of glazed panels that allows daylight to penetrate deep into your room, making the space instantly brighter.

The glass panels can be inserted to replace virtually any of the solid roofing panels, enabling you to maximise the light in your room or produce a very contemporary design not easily achievable with other types of roofing system.

Internally the LivinROOF is stunning. It can deliver a magnificent vaulted ceiling and incorporates the LivinRoom internal pelmet around the perimeter, where lights can be installed. At the ridge at the top of the LivinROOF you can insert or hang lights in a place where you otherwise wouldn't be able to.

If a vaulted ceiling isn't for you then there is an option of a suspended ceiling, allowing you to continue the ceiling height from an adjoining room or to give your room a more 'cosy' feel.



The great roof replacement system



BEFORE the transformation

LivinROOF replacement project

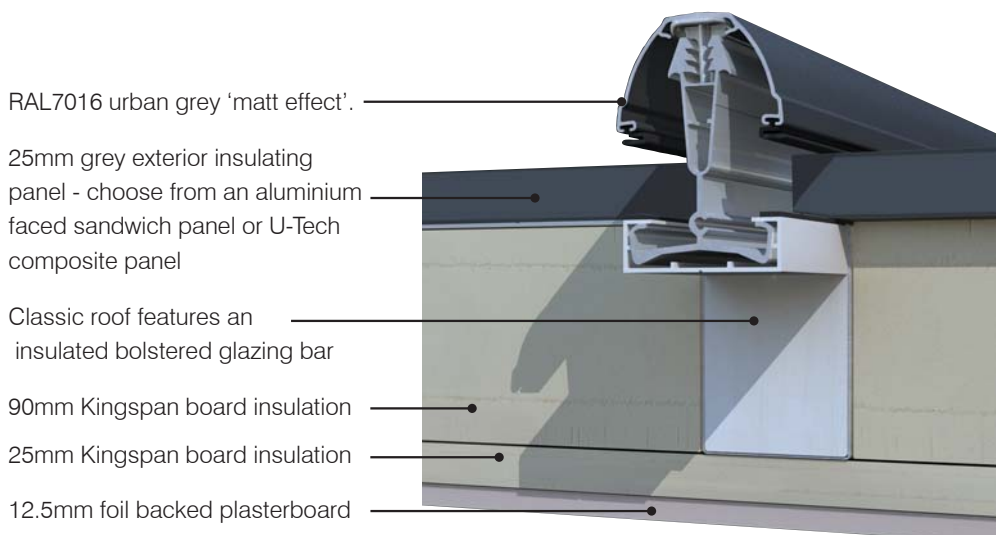
LivinROOF can be formed into any shape or roof style. Glazing panels can be inserted virtually anywhere to help you maximise the use of natural light and give you a truly bespoke design.

All LivinROOF designs come complete with the LivinRoom perimeter ceiling system as standard, not only providing the perfect place for spotlights and speakers, but it gives the effect of lifting the vaulted ceiling, giving a light airy feel to the new room.

LivinROOF can incorporate the Classic Cornice - hiding the guttering and giving your conservatory a modern, aesthetically pleasing feature.

Externally the LivinROOF is finished in urban grey to complement any housing style and give a contemporary look.

The LivinROOF is quick to install compared to other solid roofs on the market and because of its pre-fabricated design, doesn't require any onsite cutting, reducing waste and disruption.



RAL7016 urban grey 'matt effect'.

25mm grey exterior insulating panel - choose from an aluminium faced sandwich panel or U-Tech composite panel

Classic roof features an insulated bolstered glazing bar

90mm Kingspan board insulation

25mm Kingspan board insulation

12.5mm foil backed plasterboard

LivinROOF
by ultraframe

FAQ's

Q I am thinking of replacing my old tired polycarbonate roof – is there any 'red tape' involved?

A. An existing conservatory with doors into the house is 'exempt' from Building Regulations but changing the roof to a solid one means that Building Regulations now apply. Don't worry, your Ultraframe retailer will take care of everything.



Upgrade your P-Shape conservatory

Q. Is there a weight problem removing the existing lightweight plastic sheeting in the roof and adding the solid roof?

A. Not really, as *Living*ROOF has a weight of only 25kg/m². Your Ultraframe retailer will assess the existing base and window frames to ensure they are capable of taking this extra loading. If there is any doubt they will advise of the correct solutions and costs.

Q The existing conservatory has multiple shapes – I think you call it a 'P' shape. Can it be converted?

A. Yes indeed, *Living*ROOF is the most configurable solid roof on the market and this means it can adapt to all the shapes and styles of conservatory out in the market.

Q How long will it take to replace the roof? I am worried my existing floor will be damaged during the transformation!

A. It is perfectly feasible to change simple designs over the course of one day – plaster boarding and skimming would then take place over the next day or so. Ultraframe retailers will protect any existing finishes during the project.



*Living*Roof uses the Classic roof so fitters can swap old for new very quickly

Q If this has to comply with Building Regulations, is there any official paperwork I should keep?

A. In England and Wales, Ultraframe works with an approved inspector organisation called Jhai. They undertake two site inspections (on a roof replacement project) and issue a completion certificate direct to you which you can file with the deeds to your property. In other regions of the UK, other arrangements are in place

Q Externally, where the new solid roof is next to my existing window frames, how will it be finished?

A. The roof comes as standard with black 'ogee' pvc shaped gutter – this is the lowest cost option. Alternatively, we offer a powder coated aluminium Cornice which adds a decorative feature between the existing windows and the new roof, hiding the gutter and the ends of the glazing bars.



LivingRoof's Cornice feature is available in grey (to match the roof) or white

Q I am nervous about losing light into my adjacent dining room – what can be done?

A. LivingROOF has the option to have inserted in virtually any position glazed panels to allow light into the existing home. These glazed panels can be inserted at virtually no additional cost.



LivingRoof's versatility allows light into adjacent rooms

Q How much more comfortable will this 'new room' be?

A. As the roof complies with Building Regulations, it is as thermally insulated as possible, in fact LivingROOF is up to 15 times more thermally efficient than the roof it replaces. This will mean you can have greater comfort and lower bills than you have been used to.

Q I want to have some pendant lighting and spotlights around the perimeter – how feasible is this?

A. Suspending pendant lights at the highest point of the vaulted ceiling is no issue as there are structural braces inside the plasterboard to take the weight of the lights. And spotlights can fit naturally into the 300mm deep pelmet that runs around the perimeter – this can even be varied to make this pelmet even more pronounced.

CASE STUDYS: RICHARD AND MICHELLE FROM BISHOPS CLEEVE

“We specified the conservatory when the house was built 17 years ago – we thought the extra living space would really make the most of the south facing garden. We also had roof blinds installed to try and minimise the heat loss through the polycarbonate roof and although this helped to some degree, we decided to explore refurbishment options. We were slightly daunted by the prospect of a replacement roof because we couldn’t find a solution that could easily accommodate the shape of our roof – it’s Victorian at one end and Edwardian at the other.

We discovered *Living*ROOF through our Ultraframe retailer. It wouldn’t be an

understatement to say that by simply replacing the roof with *Living*ROOF it has transformed how we use the space. It’s significantly warmer even without the heating on and of course, we minimised the building costs by keeping the dwarf wall and original flooring”.



SHIRLEY FROM RUDHEATH

Shirley and her husband inherited the conservatory when they moved into the property almost ten years ago. They were delighted to find a property with a conservatory to give them the extra living space downstairs but used their *Living*ROOF transformation as an opportunity to make their home open-plan. Shirley tells us her transformation story. “The conservatory was great up to a point. But in the summer it was stifling and of course, in the winter the heating costs made it a very expensive room – we’d lock the doors in October and re-enter in the Spring – it really was a part time space. We wanted to find an easy solution to overcome the challenges of the conservatory but we were also mindful of the costs – there’s a point in any renovation project where you have to ask yourself; is it cheaper to move house? We certainly didn’t appreciate that we could simply remove the roof and replace it with something so effective.”



LINDA AND SHANE FROM THE LAKE DISTRICT

Linda and Shane from the Lake District were keen to find a home extension that delivered all the benefits of natural daylight, but wanted to ensure their new space was cosy and warm in the winter.



Linda commented, “Our extension is absolute perfection. We’ve managed to achieve everything we wanted in our new space. Natural daylight just floods in through the shaped glazing in the roof, yet, the space feels really inviting and is cost effective to heat. We love it.”



A beautiful *Living*ROOF incorporating various shaped glazed sections to maximise natural daylight yet minimise glare.



LivingROOF
by ultraframe



Conservatories



Orangeries



Extensions

ultraframe
Transforming light and space

www.ultraframe.co.uk